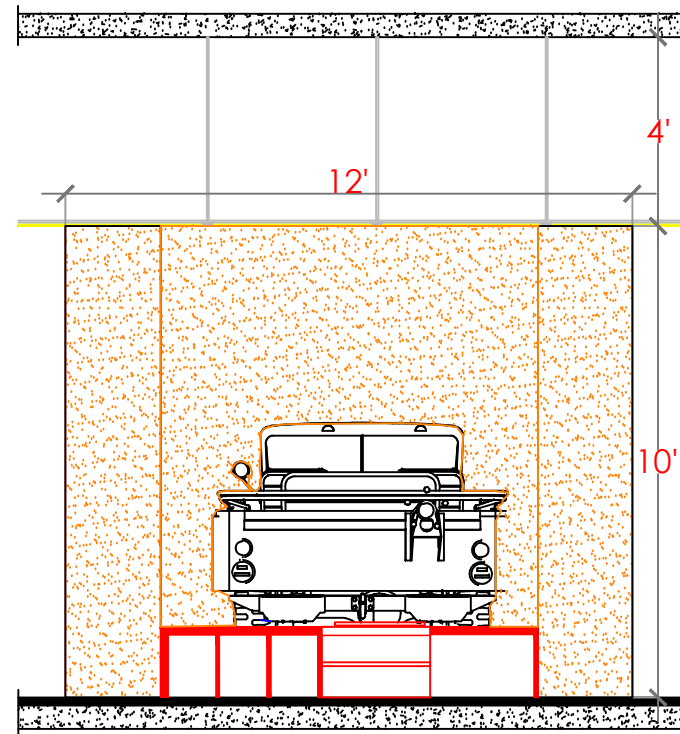
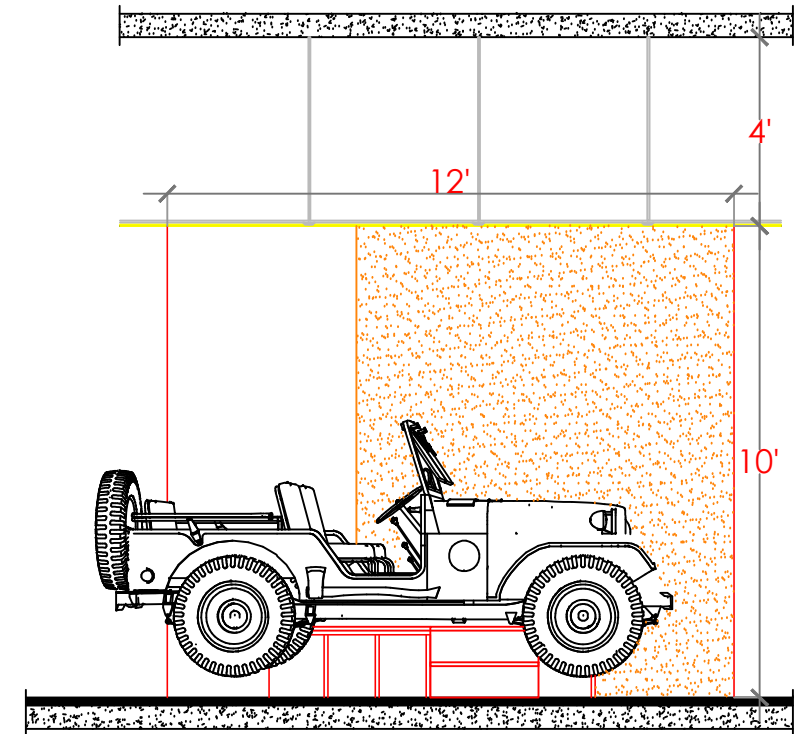


WAR ON
WHEELS
2 PLAYERS
12'X10'

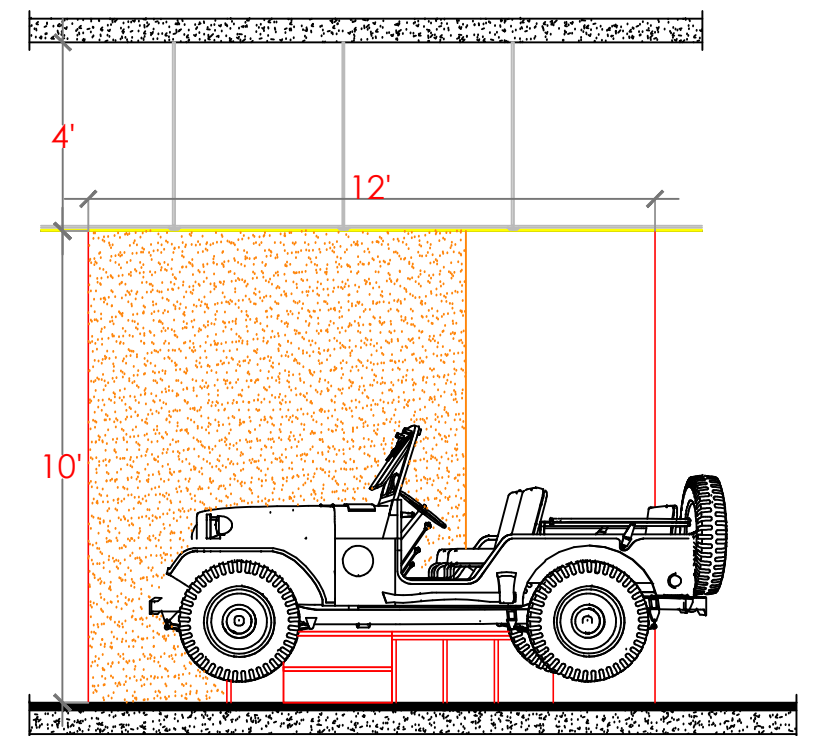
PLAN



SECTION - B1



SECTION - B2



SECTION - B3